

## SPECIFICATIONS

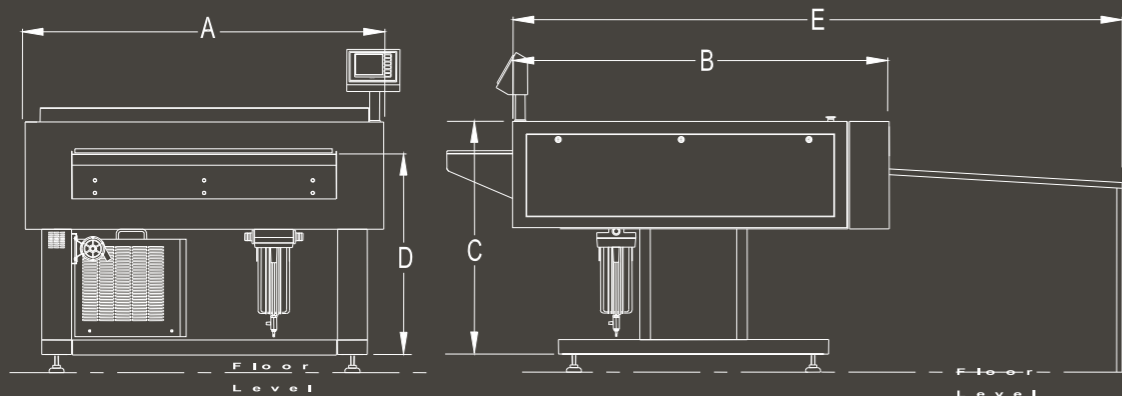
| PARAMETER                 | SPECIFICATIONS  |         |
|---------------------------|---|---------|
|                           | 70  | 85      |
| Materials                 | Chemical-free Violet CTP plates requiring preheat             |         |
| Material width, max       | 680 mm  | 830 mm  |
| Material length, min      | 330 mm  | 330 mm  |
| Processing speed          | 115 cm/min – for 20 sec dip to nip or 10 sec dip to 1st brush |         |
| Tank capacity, Gum Wash   | 18 lts  | 22 lts. |
| Brush speed, Dev          | 100 rpm   |         |
| Adjustable temp. Dev      | 20 – 35 °C  |         |
| Area replenishment        | 0 – 500 ml/m <sup>2</sup>                                     |         |
| Area temperature, preheat | 70 – 150 °C   |         |
| Power consumption         | 10 KW   |         |
| Supply voltage            | 230V AC / 50Hz, Single phase                                  |         |

### STANDARD EQUIPMENT

- Feed tray
- High capacity PID controlled pre-heat unit
- Gum wash concept with two brushes
- Oxidation cover
- Filter in gum circulation
- PLC control, Touch panel interface
- Chilling unit for temperature stability
- Double sided air knife drying
- Delivery tray
- Standard spares.

### ACCESSORIES (OPTIONAL)

- Additional top-up pump for gum wash
- Plate stacker
- Plate Jam sensor
- CTP Interface



| Processor | A   | B   | C  | D  | E             |
|-----------|-----|-----|----|----|---------------|
| 70        | 106 | 126 | 89 | 75 | 205           |
| 85        | 122 | 126 | 89 | 75 | 300 ...in Cms |

Note : Add 50mm for leveling feet.  
Add 200mm for feed tray.

## Ruby Series

The compact gum washing processor

Very small foot print  
Lowest power consumption  
High quality processing

Heavy duty construction with international  
quality components.  
Intuitive, user friendly interface

# RUBY SERIES



### DIP TANK PROCESSING

Fully submerged brush  
Easy, precise and maintainable brush  
pressure setting  
Easy maintenance and cleaning



### CONTROL PANEL

User friendly touch screen  
Intuitive convenient layout



### ADVANCED ELECTRONICS

PLC control of all processor functions  
Reliable trouble free operation  
Centralized control of oven and processor



### HEAVY DUTY DRIVE SYSTEM

Low maintenance chain drive  
Quite, reliable operation  
Digital operation for accurate speed control  
High resolution encoder

Ruby Series  
Gum Wash Plate Processor